



not just built  
**Ryanbuilt**

**BRUSHED  
NICKEL  
PACKAGE**

[www.ryanbuilt.com.au](http://www.ryanbuilt.com.au)

# APPLIANCES

## PRODUCT SPECIFICATION SHEET





# 600mm Electric Oven

## WVE615SCA

PRODUCT SPECIFICATION SHEET



### Features:

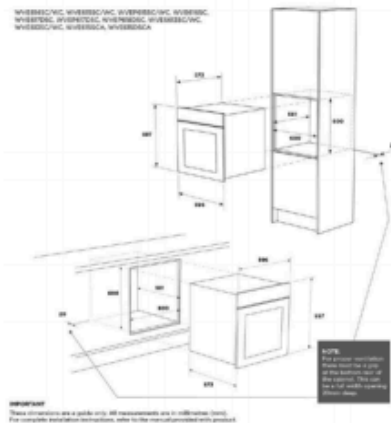
- Programmable oven timer
- 80L gross capacity
- Cooler to Touch Doors
- Knob control
- Easy guide side racks

### Finish:

Stainless Steel

### Dimensions:

W596 x D573 x H597



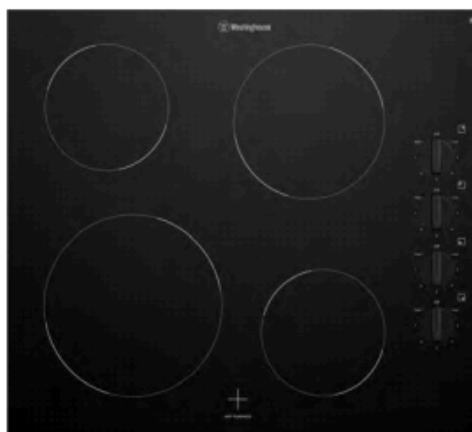
## WHC642BC

60cm 4 zone ceramic cooktop with residual heat indicator, 9 power levels and easy clean ceramic surface.

---

### Features

- Residual Heat Indicator
- Easy clean ceramic surface
- 9 power levels
- 2.3kW powerful zone
- Auto thermal cutout safety switch



---

### DIMENSIONS

Total product height (mm) - 46, Total product width (mm) - 590, Total product depth (mm) - 520, Cut out width (mm) - 560, Cut out depth (mm) - 490

---

WHC642BC - 60cm 4 zone ceramic cooktop

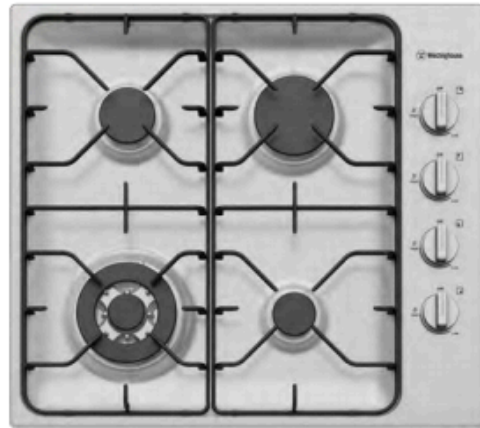
## WHG643SB

COMMERCIAL  
ONLY

60cm 4 burner stainless steel gas cooktop with a high powered 14.4 MJ/h wok burner, electronic ignition, flame failure device and enamel trivets. **ONLY AVAILABLE COMMERCIALY**

### Features

- High powered 14.4 MJ/h wok burner
- Enamel trivets
- Flat Trivets
- Simple and durable control panel graphics
- Easy under knob ignition
- Flame Failure Device
- LP Gas Conversion kit included



### DIMENSIONS

Total product height (mm) - 58, Total product width (mm) - 600, Total product depth (mm) - 535, Cut out width (mm) - 570, Cut out depth (mm) - 490

WHG643SB - 60cm 4 burner stainless steel gas cooktop



# 600mm Slideout Rangehood

## WRR614SB



PRODUCT SPECIFICATION SHEET

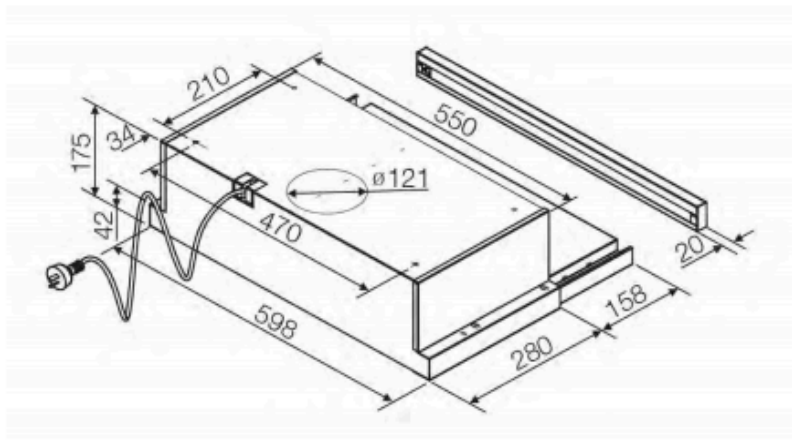
### Features:

- Low energy, long lasting LED lighting
- Auto activated push-pull controls
- Removable front fascia
- Front Recirculation
- Charcoal filter included

### Finish:

### Dimensions:

W598 x D300 x H175



## WSF6606XA

60cm freestanding dishwasher with 15 place settings, 6 wash programs, fast 30min wash, 45dB operation, FlexZone wash options, height adjustable baskets when fully loaded, 1-24 hour delay start and Aqualstop anti flood protection.

### Features

- Fast wash cycles
- Quiet operation
- FlexZone Wash
- Adjustable top basket
- Delay Start - 1 - 24 Hours
- AquaStop antiflood protection



### Dimensions

Total height (mm) - 850, Total width (mm) - 598, Total depth (mm) - 598, Height adjustment (mm) - 20, Product height excluding removabile worktop (mm) - 820

WSF6606XA - Freestanding dishwasher, stainless steel

# KITCHEN

## PRODUCT SPECIFICATION SHEET





# Pina Sink Mixer

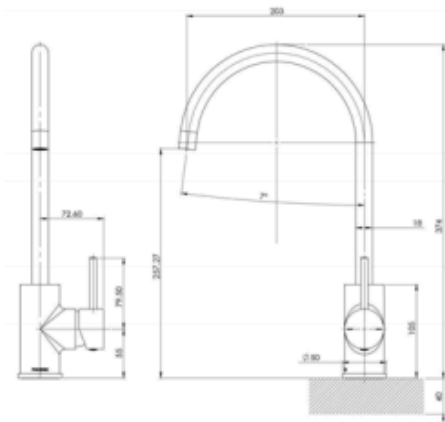
**153733040**



**Features:**

- 7L/min
- Australian designed
- Solid brass construction

**Finish:**





# Bell 840mm Double Bowl Top Mount / Under Mount Sink

**BCX2203838**



## Features:

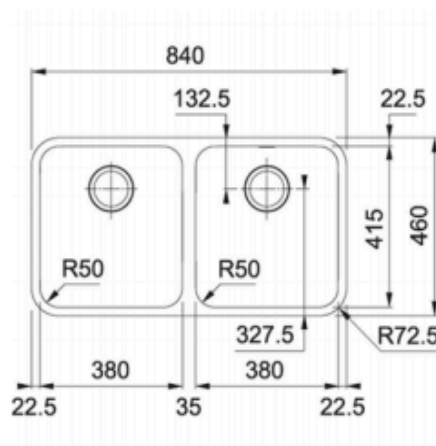
- 50 year warranty
- 18/10 grade stainless
- No tap hole
- Made to withstand the everyday wear and tear of life in a busy kitchen

## Finish:

Stainless Steel

## Dimensions:

W840 x D460 x H180mm



PRODUCT SPECIFICATION SHEET

# BATHROOM

## PRODUCT SPECIFICATION SHEET

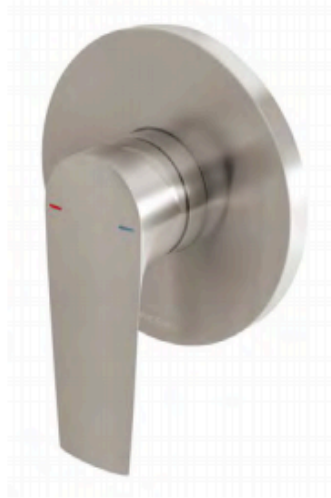




**PHOENIX**  
TAPWARE, SHOWERS & ACCESSORIES

## Arlo Shower/Bath Mixer

**151780040**

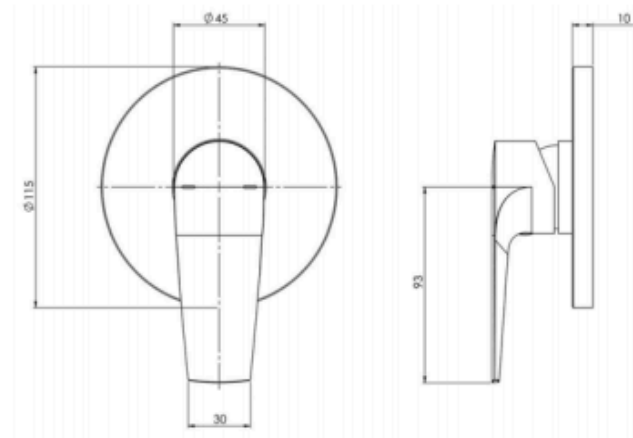


### Features:

- Red and Blue indicators
- High quality chrome finish
- Stylish paddle lever design
- Heavy duty ceramic disc cartridge

### Finish:

Brushed Nickel



PRODUCT SPECIFICATION SHEET

not just built

**Ryanbuilt**

**Brushed Nickle Package**

[www.ryanbuilt.com.au](http://www.ryanbuilt.com.au)

# Arlo Vessel Basin Mixer

**151790040**

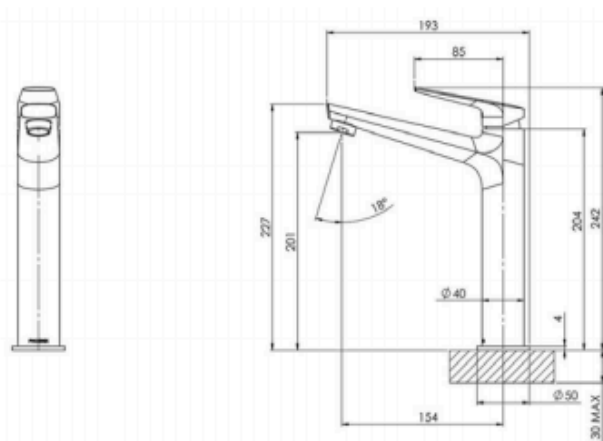


**Features:**

- 5.5L/min
- Water saving technology
- High quality chrome finish
- Stylish paddle lever design
- Heavy duty ceramic disc cartridge

**Finish:**

Brushed Nickel



PRODUCT SPECIFICATION SHEET

# Vivid Single Shower on Rail

**V685BN**

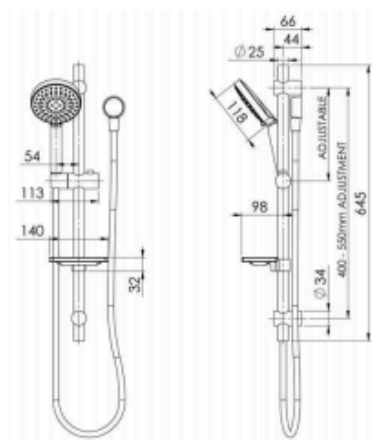


**Features:**

- 8.0L/min
- 650mm rail
- 5 function spray
- Water saving technology
- Blend of form and function

**Finish:**

Brushed Nickel



PRODUCT SPECIFICATION SHEET



**PHOENIX**  
TAPWARE, SHOWERS & ACCESSORIES

## Radii Toilet Roll Holder

**RA892BN**

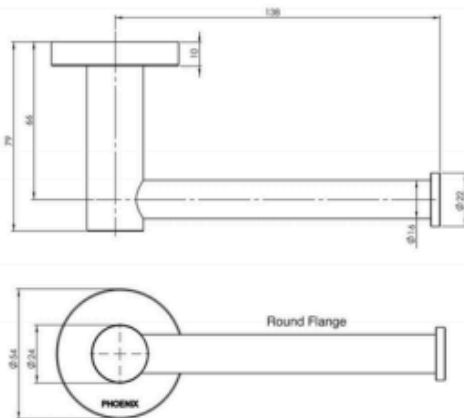


### Features:

- Round flange
- Australian designed
- Will suit any contemporary bathroom
- Solid brass construction with a quality chrome finish
- Wide, flat surfaces beautifully designed to complement modern trends

### Finish:

Brushed Nickel



PRODUCT SPECIFICATION SHEET



# PHOENIX

TAPWARE, SHOWERS & ACCESSORIES

## Radii 600mm Double Towel Rail

### RA813BN



#### Features:

- Australian designed
- Supported by a 7 year warranty
- Available in a single or double rail
- Available in a 600mm or 800mm length
- Matching tapware available to complete your bathroom look

#### Finish:

Brushed Nickel



PRODUCT SPECIFICATION SHEET



# PARISI

## Linfa Back to Wall Toilet Suite

**PN760**



**Features:**

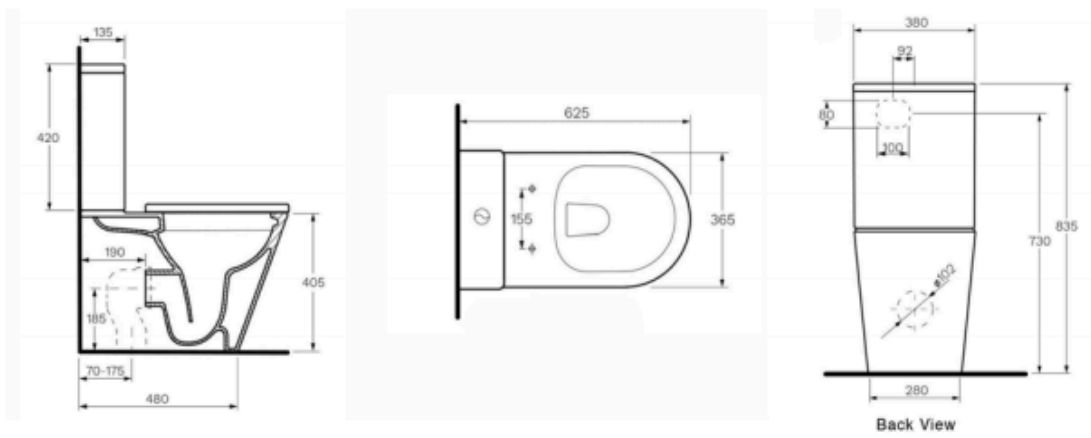
- 4.5/3L 3.3L Average Flush
- Back Inlet 730mm height FFL / Bottom Inlet L&R
- P trap: 185mm height FFL
- S trap: 70 - 175mm using PN0030 connector (included)
- Optional variable set out 180 - 220mm available (PN0045)

**Finish:**

Gloss White

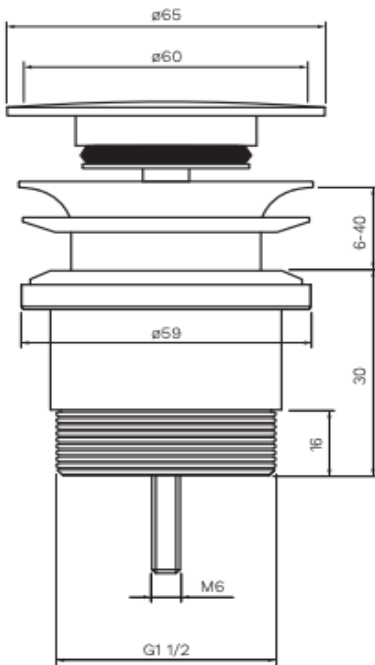
**Dimensions:**

W380 x D625 x H835mm



## Universal Clic-Clac Waste 32mm

**Product Code: TA3240.XX**



- Colour & Finish** — Chrome Polished, Fucile (50)
- Material** — Brass
- Dimensions** —  $\phi 65 \times 64-72\text{mm}$
- Suitable for** — 32mm and 40mm basins / Overflow and non-overflow
- Function** — Pop up. Plug easily removable to clear blockages
- Warranty** — 12 Months (Conditions Apply)

PARISI 

Note: Dimensions are in millimetres and nominal. They can vary according to material and manufacturing tolerances. Exact dimensions should be determined by measuring actual product. PARISI reserves the right to vary specifications without notice. January 2020

## Mont Albert 600mm Wall Hung Vanity - Stone Top

### VMA600WMSTN



#### Features:

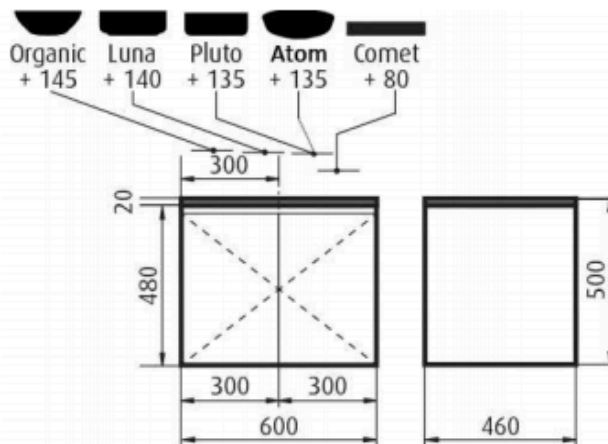
- Stone Top and Basin options available
- Fingerpull soft close doors
- Cabinet colour options available
- 1 taphole standard, no taphole option available with stone top above counter basin
- 32mm plug & waste required

#### Finish:

White

#### Dimensions:

W600 x D460 x H500mm + basin height



# Logan 600mm Shaving Cabinet

## LO60MWC

PRODUCT SPECIFICATION SHEET



### Features:

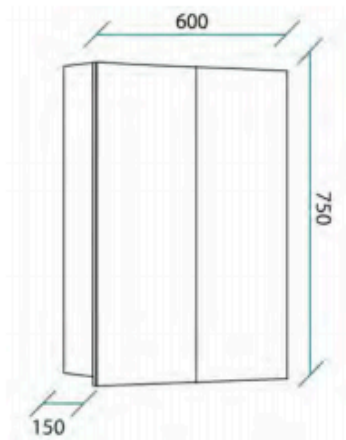
- Mirrored doors
- Adjustable glass shelves
- Gloss white polyurethane surround
- Doors extend 20mm pass carcass for ease of opening

### Finish:

White

### Dimensions:

W600 x D150 x H750mm



## Square Floor Waste Tile Insert

**FD11XS90T**



### Features:

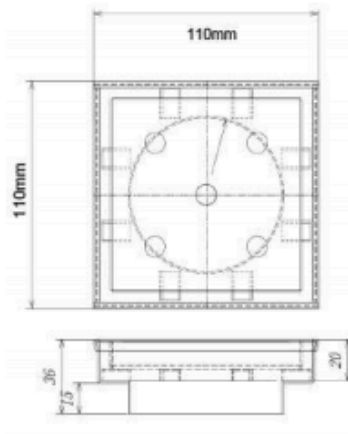
- 90mm outlet
- Centre waste outlet only
- 316 marine grade stainless steel
- Australian water mark approved certificate 23027
- Manufactured from high-quality maintenance-free materials

### Finish:

Stainless Steel

### Dimensions:

W110 x D110 x H36mm



# LAUNDRY

## PRODUCT SPECIFICATION SHEET



# 40 Litre Compact Laundry Tub & Cabinets

## 71X4010

PRODUCT SPECIFICATION SHEET



### Features:

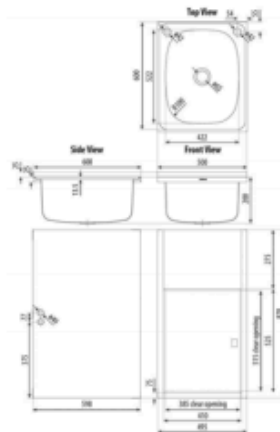
- Internal floor
- Reversible door
- Stainless Steel Bowl

### Finish:

White

### Dimensions:

W495 x D600 x H870mm



## Ivy MKII Sink Mixer

**154730000**

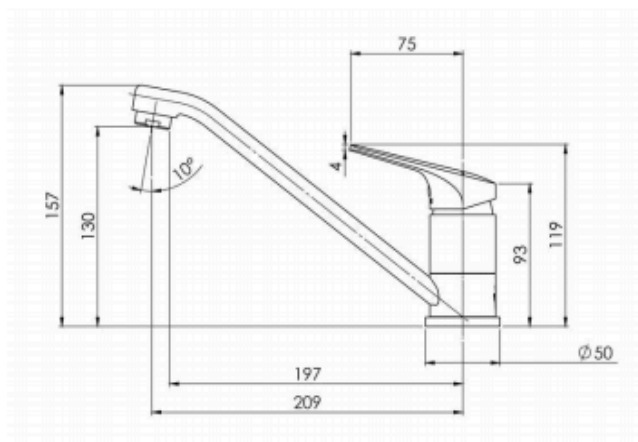


### Features:

- 6.5 L/min
- Pressure: MIN 150 kPa - MAX 500 kPa
- Temperature: MIN 1° - MAX 75°
- Swivel faucet
- Coloured H&C indicators

### Finish:

Chrome





## Economy 3 Way Mini Tap

### 3WWMCA



#### Features:

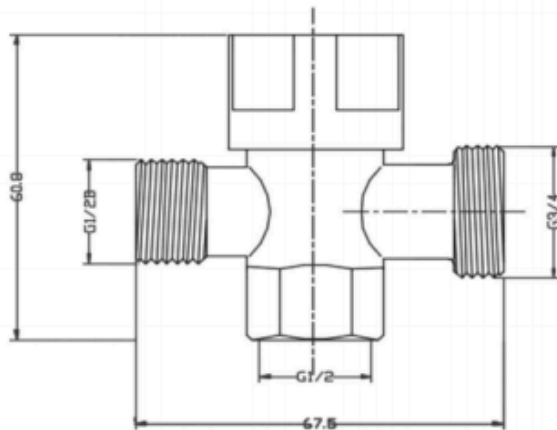
- Under bench installation
- One fixture point for installation
- Laundry mixer & washing machine stop

#### Finish:

Chrome

#### Dimensions:

W67.5 x D60.8 x H30mm





**Wasteland**  
PLUMBING SUPPLIES

# 100mm Square Floor Waste

**1420101**



**Features:**

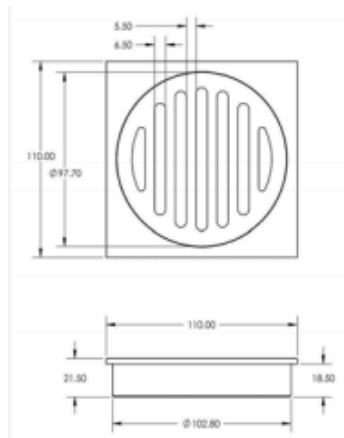
- Solid brass
- Watermark certification
- Available in other finishes & a range of other sizes

**Finish:**

Chrome Plated

**Dimensions:**

100mm diameter



PRODUCT SPECIFICATION SHEET

# HOT WATER

## PRODUCT SPECIFICATION SHEET





# Metro Max 26 Continuous Flow 50°C Water Heater (LPG)

## 876T26PF



PRODUCT SPECIFICATION SHEET

### Features:

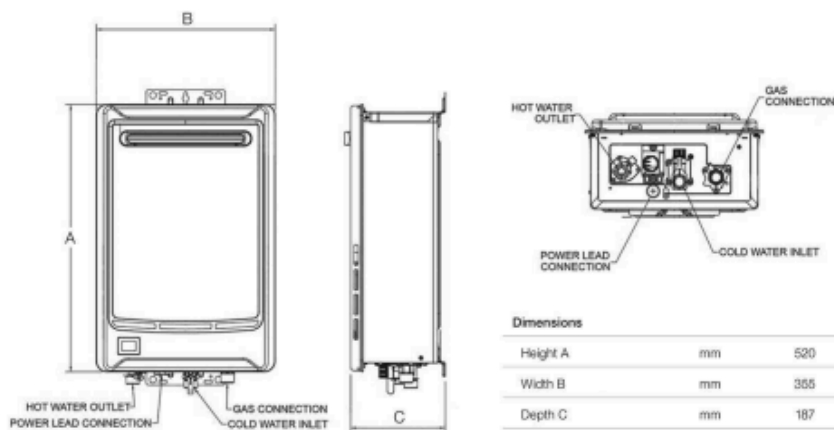
- Suitable for 2-5 people
- 6 Star hot water energy rating
- 26Ltr flow rate at 25°C rise
- Digital displays
- Flamesafe® overheat protection
- 50°C provide the added safety of a fully-tempered home at 50°C

### Finish:

Beige

### Dimensions:

355mm x 187mm x 520mm



#### Dimensions

Height A	mm	520
Width B	mm	355
Depth C	mm	187

# Rinnai

## Rinnai 16-26L 424mm Galvanised Recess Box

### RBOX04L



#### Features:

- Galvanized construction
- Suit 160mm deep cavities
- Single or double brick application
- Security bracket supplied (padlock supplied with box)
- Suits Rinnai 16-26L 'B' & 'Infinity' series external gas continuous flow units

#### Dimensions:

W424 x D165 x H1105mm

NO SPECIFICATION IMAGE AVAILABLE